

DN Series

3

Submersible pumps for dirty water. Made in cast iron and stainless steel, with mechanical seal and open impeller with abrasion-resistant rubber coating. Supplied with or without float switch.

Specifications

Delivery: up to 16,8 m³/h
Head: up to 22 m
Power supply: three-phase and single-phase 50 and 60 Hz
Power: 0.55 kW to 0.75 kW
Maximum immersion depth: 5 m
Temperature of pumped liquid:
0°C to +50°C (with fully submerged pump)
0°C to +25°C (with partially submerged pump)
Liquids with suspended solids: up to 5 mm
Protection: IP68
Length of cable: 5 m

Materials

Pump body: Cast iron
Wear flange, motor casing, suction screen: Stainless steel
Impeller: Stainless steel and NBR
Mechanical seal: Carbon/Ceramic/NBR
Elastomers: NBR
Shaft extension: Stainless steel

Applications

Emptying of drains, rain water tanks or domestic wastewater

Emptying of wells and tanks in industrial and ecological applications

Lawn and garden irrigation

Emptying of tanks or reservoirs

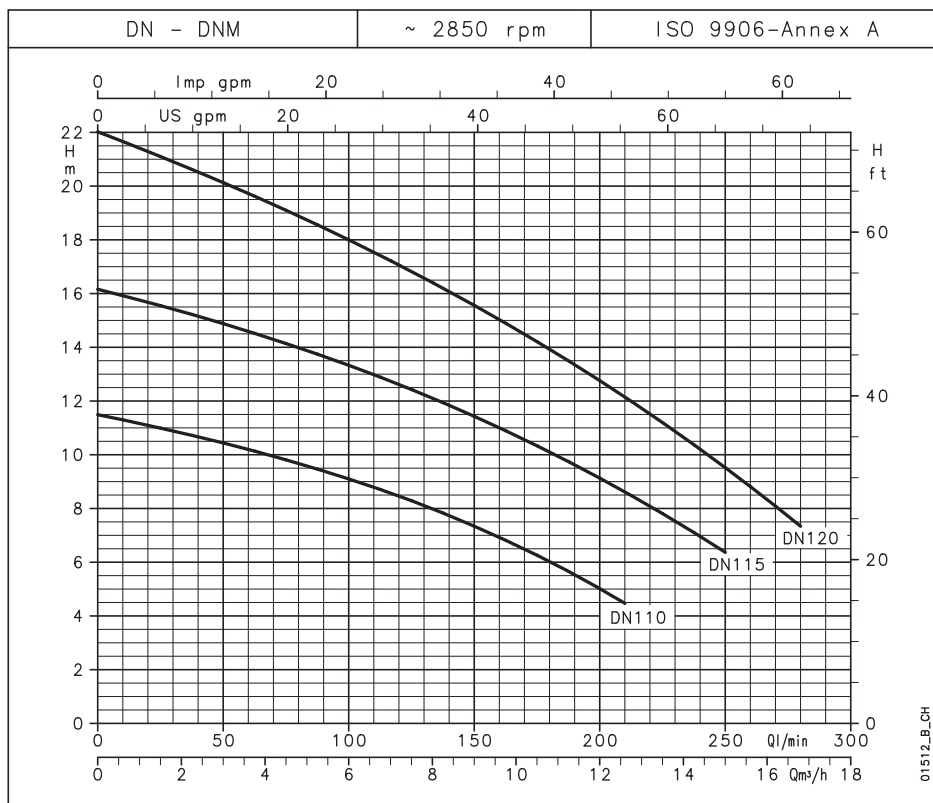
Emergency draining in flooded areas



For a complete list of technical information, consult www.lowara.com

DN SERIES

Operating characteristics at 50 Hz



DN SERIES

Hydraulic performance table

PUMP TYPE	RATED POWER		Q = DELIVERY												
			l/min	0	25	50	75	100	125	150	175	210	225	250	280
			m ³ /h	0	1,5	3	4,5	6	7,5	9	10,5	12,6	13,5	15	16,8
	kW	HP	H = TOTAL HEAD IN COLUMN OF WATER (METRES)												
DN(M) 110	0,6	0,8	11,5	11,0	10,4	9,8	9,1	8,3	7,3	6,3	4,5				
DN(M) 115	0,6	0,8	16,2	15,6	14,9	14,1	13,3	12,4	11,4	10,3	8,6	7,8	6,4		
DN(M) 120	0,75	1	22,0	21,1	20,1	19,1	18,0	16,8	15,6	14,2	12,1	11,2	9,5	7,3	

These performances are valid for liquids with density $\rho = 1.0 \text{ kg/dm}^3$ and kinematic viscosity $\nu = 1 \text{ mm}^2/\text{s}$.

dn-2p50_a_th

Electrical data

PUMP TYPE	ABSORBED POWER*		CAPACITOR	PUMP TYPE	ABSORBED POWER*		ABSORBED CURRENT*
	SINGLE-PHASE		$\mu\text{F} / 450 \text{ V}$		THREE-PHASE		380-415 V
	kW	220-240 V			kW	220-240 V	A
DNM 110	0,68	3,56	25	DN 110	0,66	3,46	2,00
DNM 115	0,90	4,28	25	DN 115	0,93	3,81	2,20
DNM 120	1,03	4,77	25	DN 120	1,09	4,05	2,34

*Maximum values within operating range.

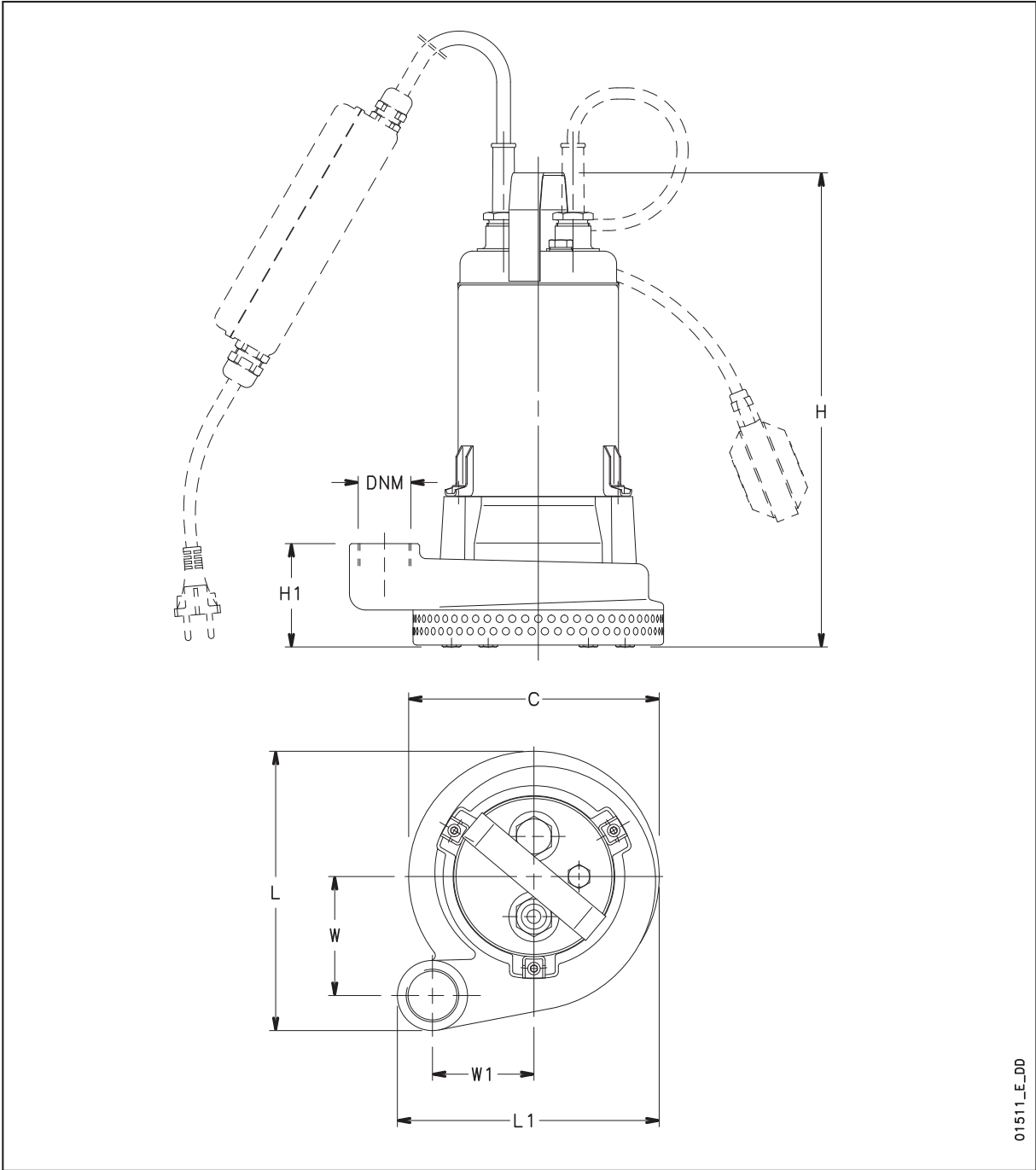
dn-2p50-en_b_te

Black and white technical books available
see www.lowara.it

DN SERIES

Dimensions and weights

3



PUMP TYPE	DIMENSIONS (mm)							DNM	WEIGHT
	C	H	H1	L	L1	W	W1		
DNM110-DN110	Ø 200	380	81	223	209	95	81	Rp 1°	18,5
DNM115-DN115	Ø 200	380	81	223	209	95	81	Rp 1°	18,5
DNM120-DN120	Ø 200	380	81	223	209	95	81	Rp 1°	19,5

dn-2p50_b_td