

DIWA Series

Submersible pumps for clean and dirty water.

Entirely made from AISI 304 stainless steel, compact and lightweight, with mechanical seal and coated diffuser plate for maximum resistance to abrasion. Supplied with or without float switch. Most pump models feature a built-in capacitor. The motor is cooled by the pumped liquid and thermal overload protection to protect the pump in case of overheating.

Specifications

Delivery: up to 25 m³/h

Head: up to 21 m

Power supply: three-phase and single-phase 50 and 60 Hz

Power: 0.55 kW to 1.5 kW

Maximum immersion depth: 7 m

Temperature of pumped liquid: 0°C to +50°C

Liquids with suspended solids: up to 8 mm

Insulation class: F (motor dry)

Protection: IP68

Length of cable: 10 m

Materials

Pump body, motor casing:

Stainless steel

Sleeve, impeller: Stainless steel

Shaft extension, nuts and bolts:

Stainless steel

Suction screen: Stainless steel

Front diffuser plate: Stainless steel coated with polyurethane

Inner mechanical seal:

Silicon-carbide/Silicon-carbide

Upper lip seal: NBR

Handle: Stainless steel coated in polyacetal resin

Elastomers: NBR

Applications

Emptying of drains, rain water tanks or domestic wastewater

Emptying of wells and tanks in industrial and ecological applications

Lawn and garden irrigation

Emptying of tanks and reservoirs

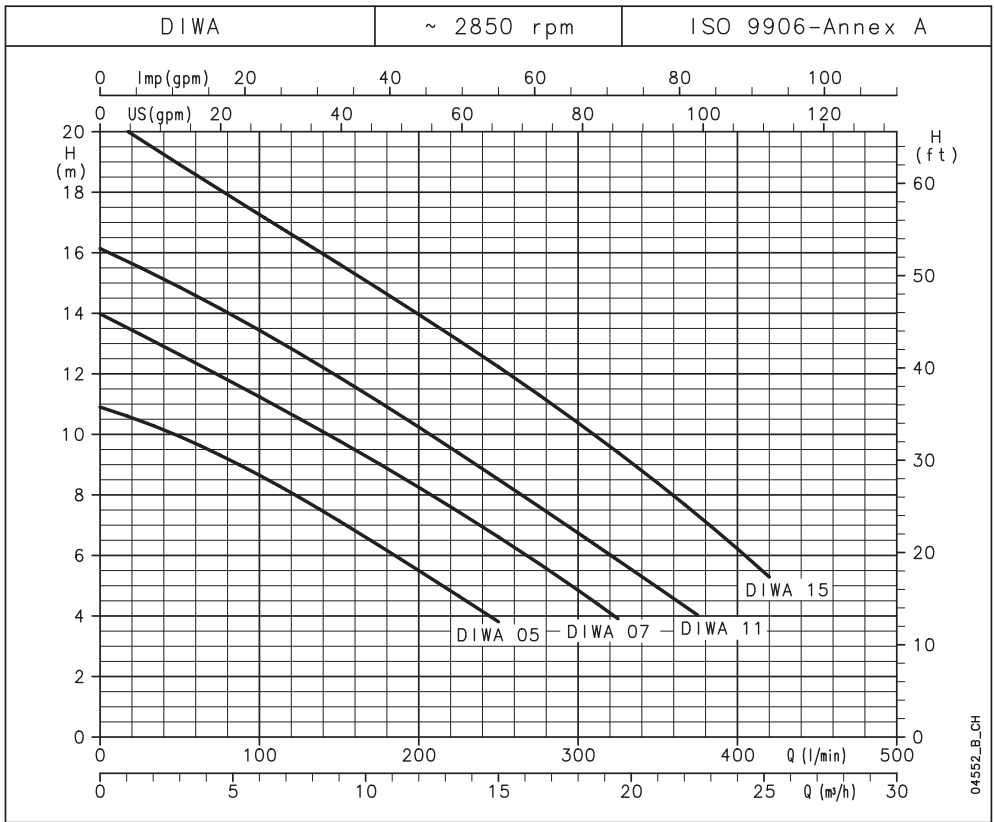
Emergency draining of flooded areas or rooms



For a complete list of technical information, consult www.lowara.com

DIWA SERIES

Operating characteristics at 50 Hz



DIWA SERIES

Hydraulic performance table

PUMP TYPE	RATED POWER		Q = DELIVERY												
			l/min	0	100	125	150	175	200	225	250	300	325	375	420
	kW	HP	m³/h	0	6	7,5	9	10,5	12	13,5	15	18	19,5	22,5	25,2
			H = TOTAL HEAD IN COLUMN OF WATER (METRES)												
DIWA 05(T)	0,55	0,75	10,9	8,6	7,9	7,1	6,3	5,5	4,7	3,8					
DIWA 07(T)	0,75	1	14,0	11,2	10,5	9,8	9,0	8,3	7,4	6,6	4,8	3,9			
DIWA 11(T)	1,1	1,5	16,1	13,4	12,7	11,9	11,1	10,2	9,4	8,5	6,7	5,8	4,0		
DIWA 15T	1,5	2	20,6	17,3	16,4	15,6	14,8	14,0	13,1	12,2	10,4	9,4	7,3	5,3	

These performances are valid for liquids with density $\rho = 1.0 \text{ kg/dm}^3$ and kinematic viscosity $\nu = 1 \text{ mm}^2/\text{s}$.

diwa-2p50_a_th

Electrical data

PUMP TYPE	INPUT POWER*		CAPACITOR	PUMP TYPE	INPUT POWER*		INPUT CURRENT*
	SINGLE-PHASE				THREE-PHASE		
	kW	220-240 V A	$\mu\text{F} / 450 \text{ V}$		kW	220-240 V A	380-415 V A
DIWA 05	0,79	3,92	16	DIWA 05T	0,72	2,56	1,48
DIWA 07	1,25	6,20	22	DIWA 07T	1,2	4,26	2,46
DIWA 11	1,53	6,83	30	DIWA 11T	1,44	4,64	2,68
-	-	-	-	DIWA 15T	2,05	6,74	3,89

*Maximum value in specified range

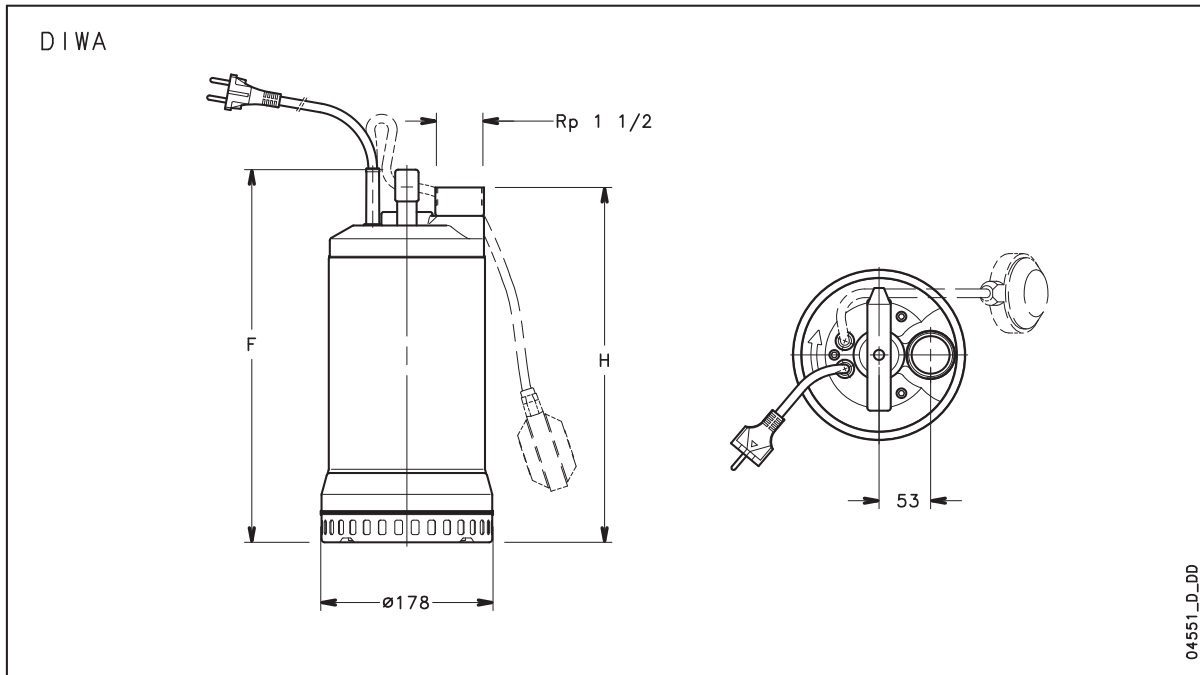
diwa-2p50_a_te

Catalogo tecnico in bianco e nero disponibile.
visita il sito www.lowara.it

DIWA SERIES

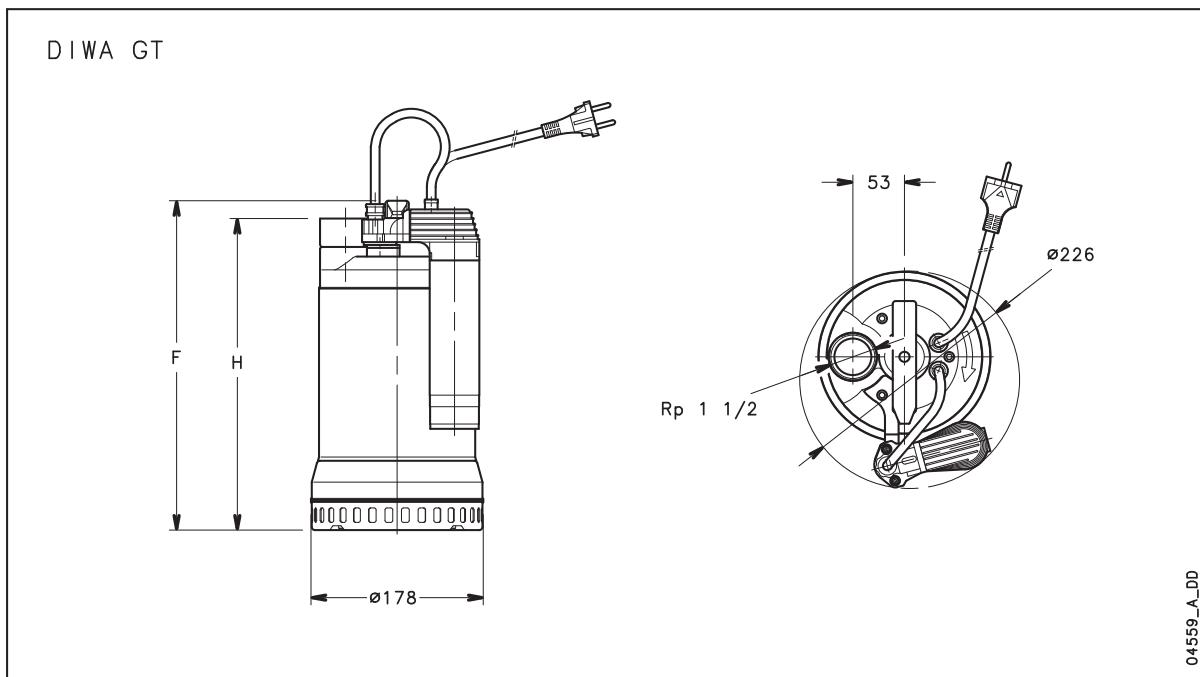
Dimensions and weights

3



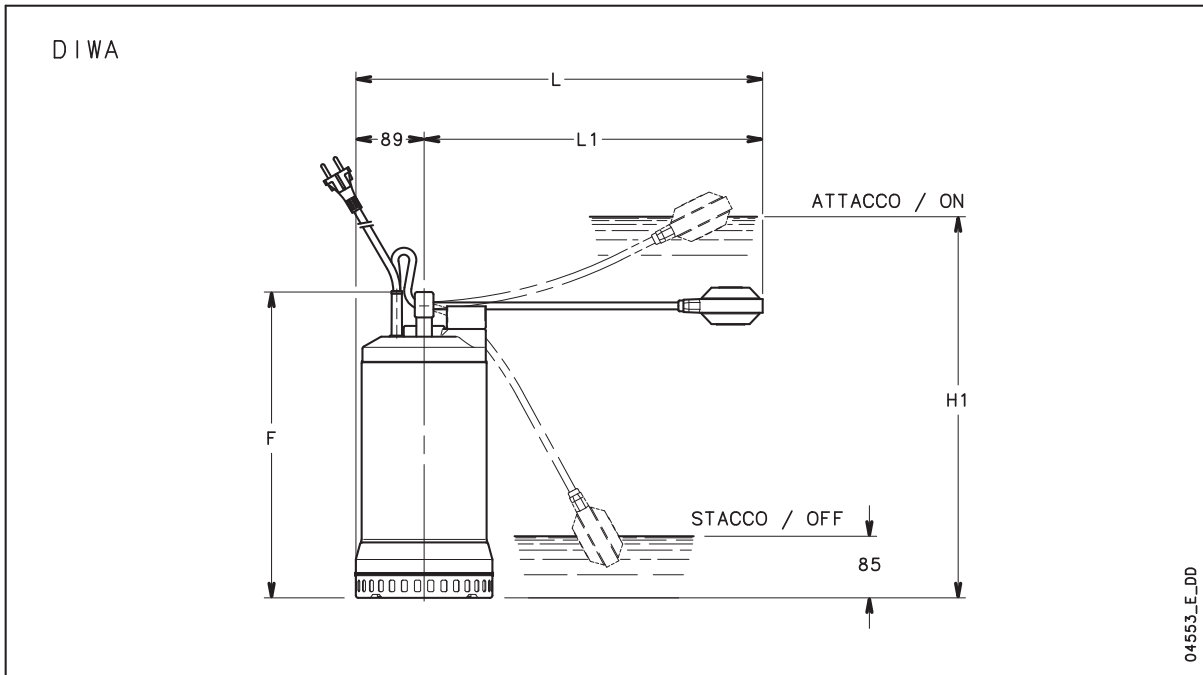
PUMP TYPE SINGLE-PHASE		DIMENSIONS (mm)		WEIGHT	PUMP TYPE THREE-PHASE		DIMENSIONS (mm)		WEIGHT
		F	H	kg		F	H	kg	
DIWA05	DIWA05 GT	348	330	12	DIWA05T	348	330	11	
DIWA07	DIWA07 GT	393	375	14,3	DIWA07T	363	345	13	
DIWA11	DIWA11 GT	393	375	17	DIWA11T	393	375	15	
-	-	-	-	-	DIWA15T	393	375	16,5	

diwa-2p50_b_td



DIWA SERIES

Installation examples



PUMP TYPE		DIMENSIONS (mm)				
		F	L	L1	H1	H2
DIWA05	DIWA05 GT	348	459	370	430	180
DIWA07	DIWA07 GT	393	514	425	490	180
DIWA11	DIWA11 GT	393	514	425	490	180

diwaliv-2p50_b_td

