

SCUBA Series

Multi-stage submersible centrifugal pumps for clean water, with the majority of components in AISI 304 stainless steel. Double mechanical seal system with oil chamber.

The liquid end is located underneath the electric motor which is cooled by the pumped liquid.

The pump is directly inserted in the tank or well to avoid suction problems and noise. Can also operate in a horizontal position.

Specifications

Delivery: up to 7.5 m³/h

Head: up to 80 metres

Power supply: three-phase and single-phase 50 and 60 Hz

Single-phase motor: 220-240 V 50Hz, built-in automatic reset overload protection. Internal capacitor supplied standard.

Three-phase motor: 380-415 V; overload protection to be provided by user and installed in the control box (see control box section)

Power: 0.55 kW to 1.1 kW

Maximum immersion depth: 20 metres

Water temperature: 0°C to +40°C

Passage of solids: up to 2.5 mm

Maximum permissible quantity of suspended sand: 25 g/m³

Materials

Sleeve and head: Stainless steel

Upper bearing support: Stainless steel

Shaft extension: Stainless steel

Screws: Stainless steel

Impeller: Technopolymer

Diffuser: Stainless steel

Lower bearing support: Die-cast aluminium

Elastomers: NBR

Applications

Water supply from tanks, 6" wells, basins and watercourses

Pressure boosting

Irrigation

Rain water collection

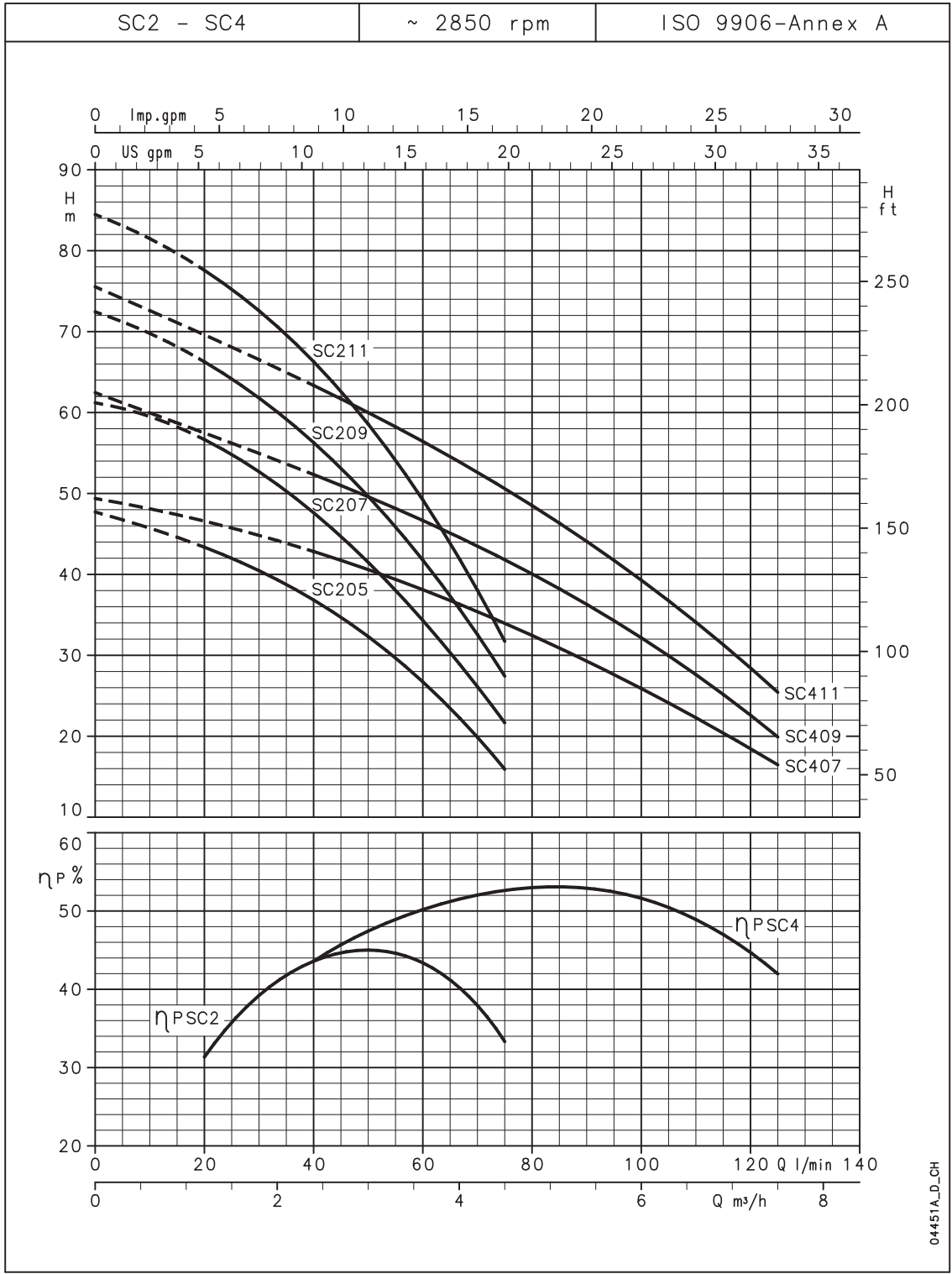


For a complete list of technical information, consult www.lowara.com

SCUBA SERIES

Operating characteristics at 50 Hz

4



04451A_D_CH

These performances are valid for liquids with density $\rho = 1.0 \text{ kg/dm}^3$ and kinematic viscosity $\nu = 1 \text{ mm}^2/\text{s}$.

SCUBA SERIES

Dimensions and weights

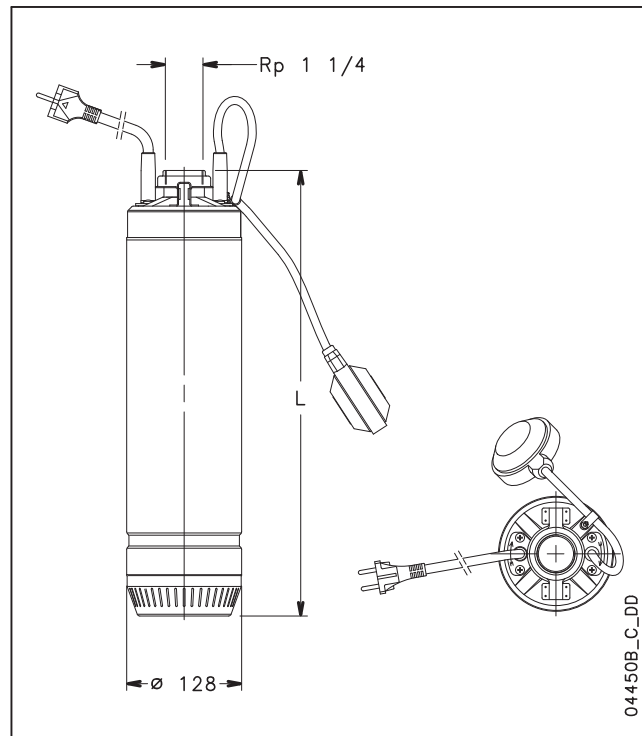
PUMP TYPE		NUMBER OF STAGES	DIMENSIONS		WEIGHT kg
SINGLE-PHASE	THREE-PHASE		L mm		
SC205C	SC205T	4	526		13,5
SC207C	SC207T	5	566		15
SC209C	SC209T	6	591		16
SC211C	SC211T	7	636		18
SC407C	SC407T	4	541		14,5
SC409C	SC409T	5	566		15,5
SC411C	SC411T	6	611		17,5

scuba-sc2-sc4-2p50_c_td

PUMP TYPE	CROSS-SECTION	CABLE TYPE	LENGTH OF CABLE
SC205C	3G1	H07RN-F	20 m
SC207C	3G1	H07RN-F	
SC209C	3G1,5	H07RN-F	
SC211C	3G1,5	H07RN-F	
SC407C	3G1	H07RN-F	
SC409C	3G1,5	H07RN-F	
SC411C	3G1,5	H07RN-F	
SC205T	4G1	H07RN-F	
SC207T	4G1	H07RN-F	
SC209T	4G1	H07RN-F	
SC211T	4G1	H07RN-F	
SC407T	4G1	H07RN-F	
SC409T	4G1	H07RN-F	
SC411T	4G1	H07RN-F	

scuba-sc2-sc4-2p50_c_tc

Single-phase range available with pre-mounted float switch (SCUBA G). Versions with 10 metre cables available on request.



Hydraulic performance table at ~2850 rpm 50 Hz

PUMP TYPE	RATED POWER		Q = DELIVERY										
			l/min	0	20	30	40	50	60	75	80	100	125
			m ³ /h	0	1,2	1,8	2,4	3	3,6	4,5	4,8	6	7,5
			H = TOTAL HEAD IN COLUMN OF WATER (METRES)										
SC205C - SC205T	0,55	0,75	47,7	43,4	40,5	36,8	32,3	26,7	15,9				
SC207C - SC207T	0,75	1	61,2	56,7	52,7	47,6	41,5	34,3	21,7				
SC209C - SC209T	0,9	1,2	72,4	66,3	61,8	56,3	49,6	41,8	27,4				
SC211C - SC211T	1,1	1,5	84,5	77,6	72,6	66,3	58,6	49,2	31,7				
SC407C - SC407T	0,75	1	49,4			42,8	40,6	38,1	34,0	32,5	25,9	16,5	
SC409C - SC409T	0,9	1,2	62,5			52,3	49,6	46,7	41,8	40,1	32,2	19,9	
SC411C - SC411T	1,1	1,5	75,5			63,4	60,0	56,4	50,6	48,5	39,3	25,4	

scuba-sc2-sc4-2p50_c_th

Electrical data

PUMP TYPE	INPUT POWER*	INPUT CURRENT*	CAPACITOR	PUMP TYPE	INPUT POWER*	INPUT CURRENT*	INPUT CURRENT*
	kW	A	µF / 450 V		kW	A	A
SC205C	0,93	4,37	16	SC205T	0,86	2,81	1,62
SC207C	1,15	5,19	25	SC207T	1,09	4,12	2,38
SC209C	1,32	5,88	25	SC209T	1,27	4,40	2,54
SC211C	1,63	7,25	30	SC211T	1,45	4,68	2,70
SC407C	1,18	5,28	25	SC407T	1,12	4,16	2,40
SC409C	1,38	6,17	25	SC409T	1,33	4,50	2,60
SC411C	1,76	7,85	30	SC411T	1,59	4,94	2,85

*Maximum value in specified range

scuba-sc2-sc4-2p50_c_te

INSTALLATION EXAMPLE OF A SUBMERSIBLE PUMP Controlled by an inverter (hydrovar® Watercooled)

4

