

DOC Series

Submersible pumps for clean and dirty water. Corrosion-resistant and compact, they are available in three versions with channel or Vortex impellers. Supplied with or without float switch. Built-in capacitor. The motor is cooled by the pumped liquid and thermal overload protection to protect the pump in case of overheating.

Specifications

Delivery: up to 14 m³/h
Head: up to 11 m
Power supply: three-phase and single-phase 50 and 60 Hz
Power: 0.25 kW to 0.55 kW
Maximum immersion depth: 5 m
Temperature of pumped liquid: 0°C to +40°C
Liquids with suspended solids: DOC 3 and DOC 7 up to 10 mm, DOC 7VX up to 20 mm
Insulation class: B
Protection: IP68
Length of cable:
5 m (for internal use)
10 m (for external use)

Materials

Pump body: Noryl®
Suction screen: Noryl®
Handle: Noryl®
Upper support: Noryl®
Impeller: Noryl®
Outer sleeve: Stainless steel
Motor casing: Stainless steel
Lower cover: Stainless steel
Screws and tie-rods: Stainless steel
Shaft extension: Stainless steel
Elastomers: NBR

Applications

Emptying of residential sump pits, rain water tanks

Garden and lawn irrigation

Emptying of tanks or reservoirs

Emergency draining of flooded areas or rooms

Available on request: "shallow suction device" (for DOC 3 and DOC 7) assuring complete drainage of flooded floors (up to 3 mm from floor)

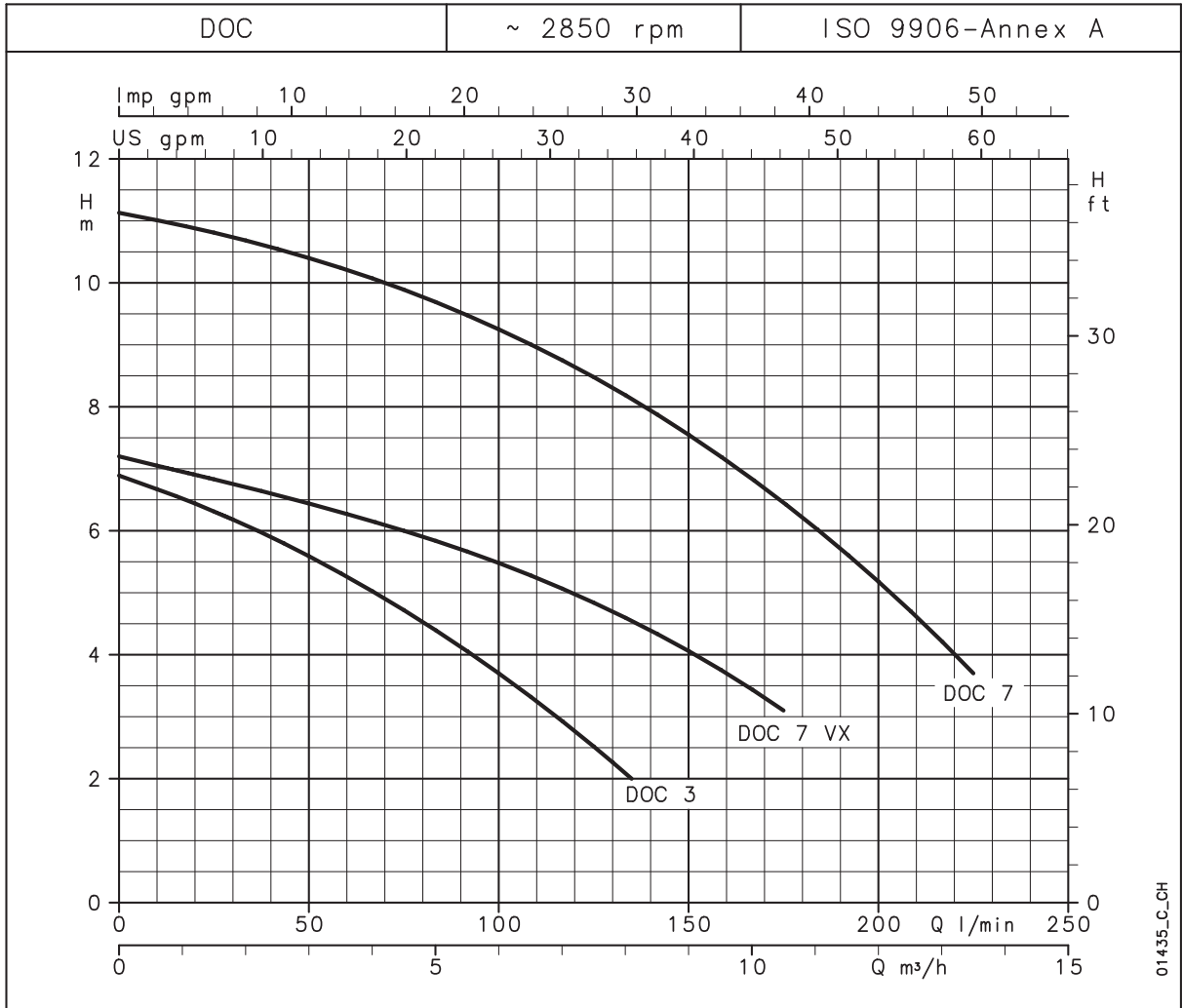


For a complete list of technical information, consult www.lowara.com

DOC SERIES

Operating characteristics at 50 Hz

3



DOC SERIES

Hydraulic performance table

PUMP TYPE	RATED POWER		Q = DELIVERY									
			l/min	0	25	50	75	100	125	135	175	225
	kW	HP	m ³ /h	0	1,5	3	4,5	6	7,5	8,1	10,5	13,5
	H = TOTAL HEAD IN COLUMN OF WATER (METRES)											
DOC3	0,25	0,33	6,9	6,3	5,6	4,7	3,7	2,5	2,0			
DOC7(T)	0,55	0,75	11,1	10,8	10,4	9,9	9,3	8,5	8,1	6,5	3,7	
DOC7VX(T)	0,55	0,75	7,2	6,8	6,4	6,0	5,5	4,8	4,5	3,1		

These performances are valid for liquids with density $\rho = 1.0 \text{ kg/dm}^3$ and kinematic viscosity $\nu = 1 \text{ mm}^2/\text{s}$.

doc-2p50_b_th

Electrical data

PUMP TYPE	INPUT POWER*		CAPACITOR	PUMP TYPE	INPUT POWER*		INPUT CURRENT*
	SINGLE-PHASE				THREE-PHASE		
	220-240 V	380-415 V		220-240 V	380-415 V		
	kW	A	$\mu\text{F} / 450 \text{ V}$	kW	A	A	
DOC 3	0,31	1,43	6,3	-	-	-	-
DOC 7	0,78	3,47	16	DOC 7T	0,79	2,82	1,63
DOC 7VX	0,66	2,96	16	DOC 7VXT	0,66	2,68	1,55

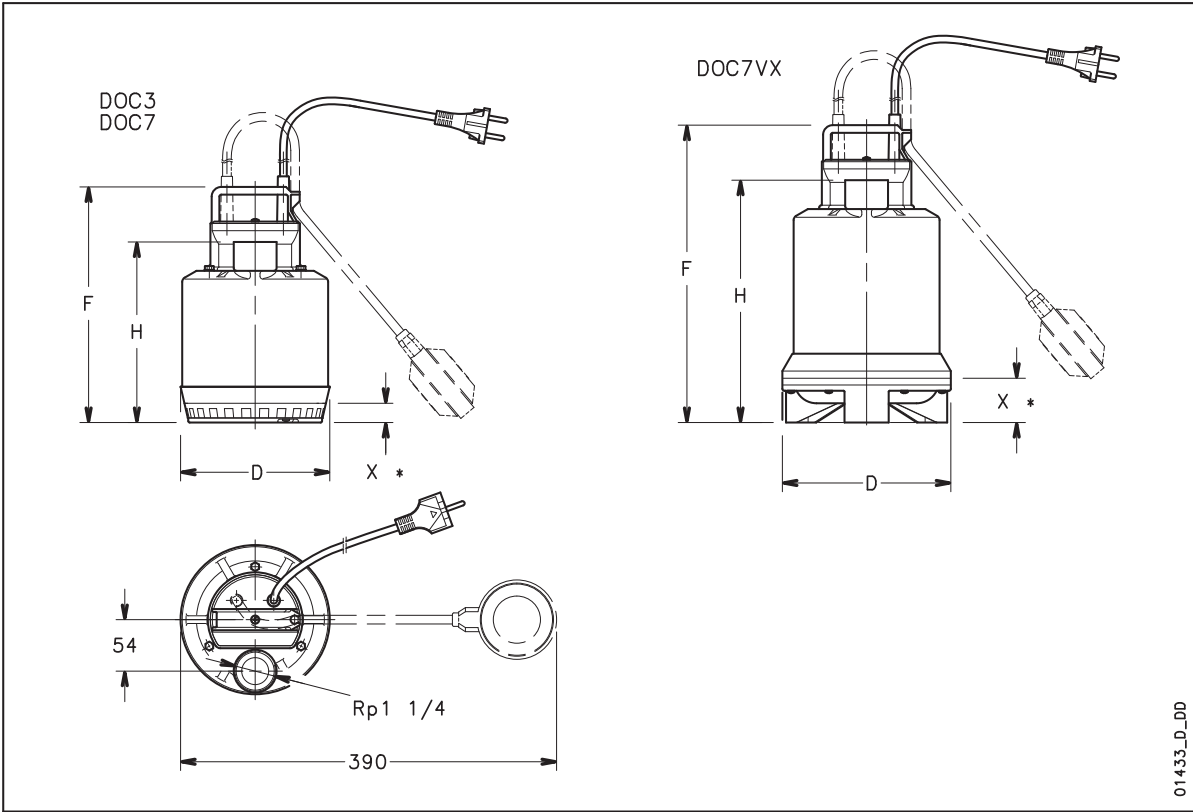
*Maximum value in specified range

doc-2p50_a_te

DOC SERIES

Dimensions and weights

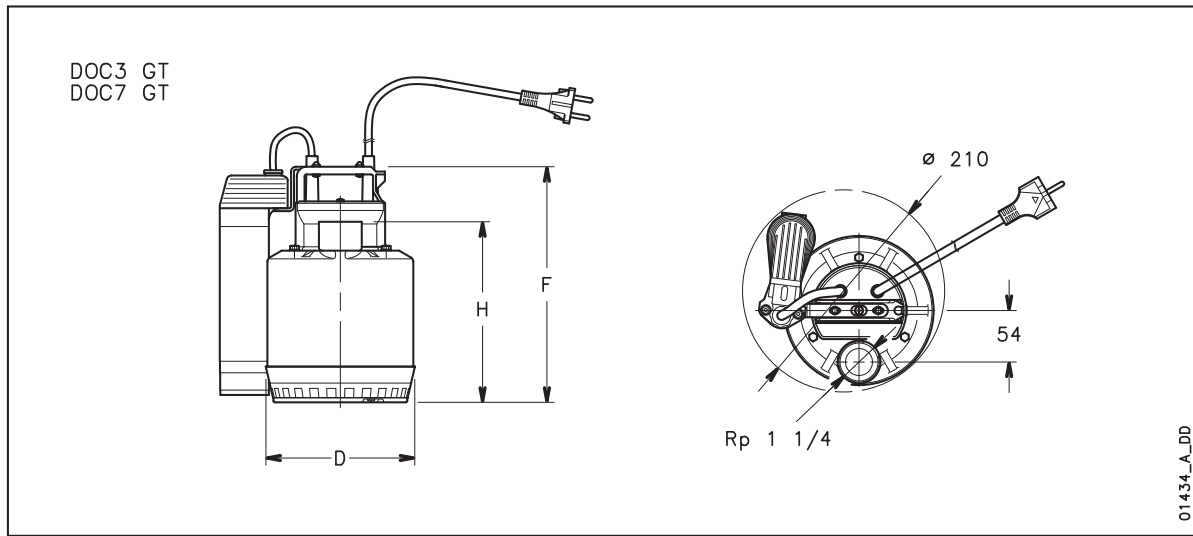
3



PUMP TYPE		DIMENSIONS (mm)				WEIGHT
		F	H	D	X*	kg
DOC3	DOC3 GT	245	188	155	20	4
DOC7(T)	DOC7(T) GT	285	228	155	20	6
DOC7VX(T)	-	310	252	175	45	6

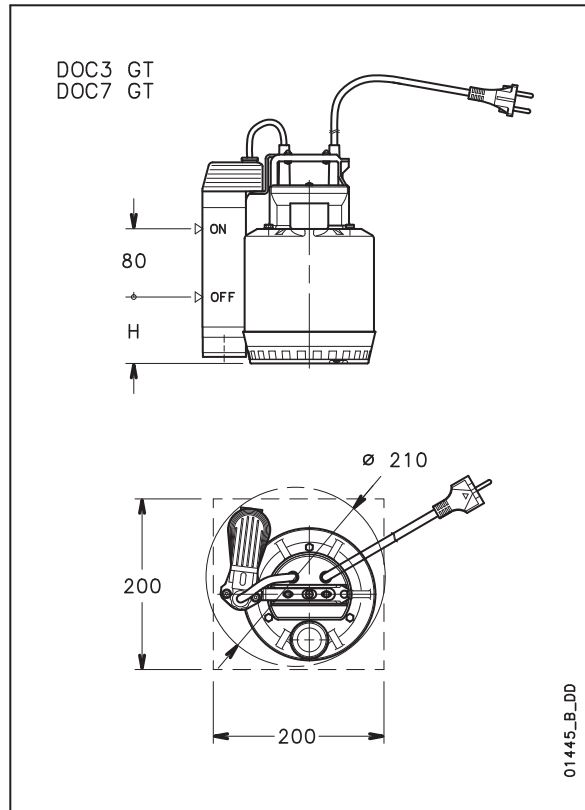
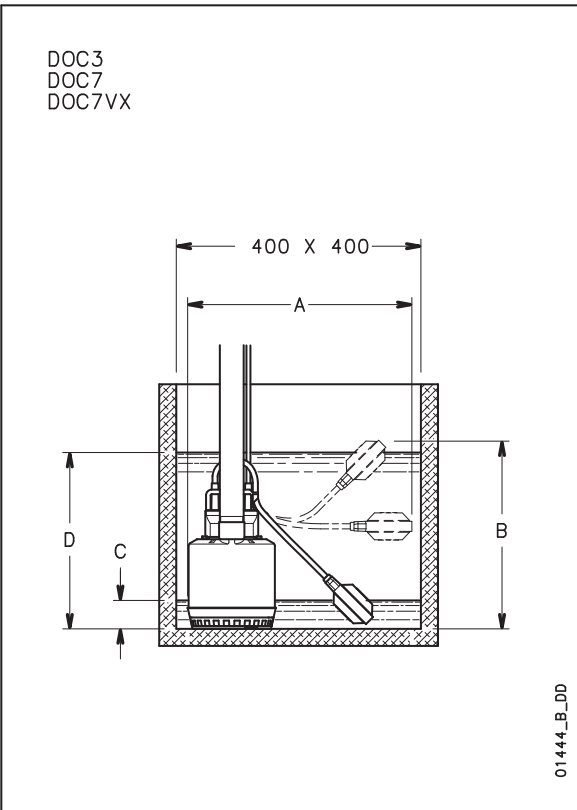
* Minimum drain level.

doc-2p50_b_td



DOC SERIES

Installation examples



PUMP TYPE				MINIMUM WATER LEVEL	MAXIMUM WATER LEVEL	MINIMUM WATER LEVEL
		A	B	C	D	H
DOC3	DOC3 GT	390	330	50	310	90
DOC7	DOC7 GT	390	370	90	350	90
DOC7VX	-	390	395	115	375	-

docliv-2p50_c_td

Accessories

